

Classpad Help Series sponsored by Casio Education Australia		www.casioed.net.au	
370	Polar Graphing	Author	Charlie Watson
		Date	31 January 2010
		CPM OS	03.04.4000

Start in Graph and Table.

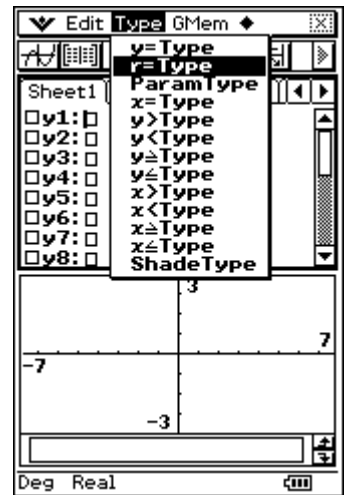
Tap into the bottom window.

Tap **Edit, Clear All**.

Tap into the top window.

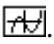
Tap **Edit, Clear All**.

Tap **Type, r=Type**.



1. Graph $r = 2$.

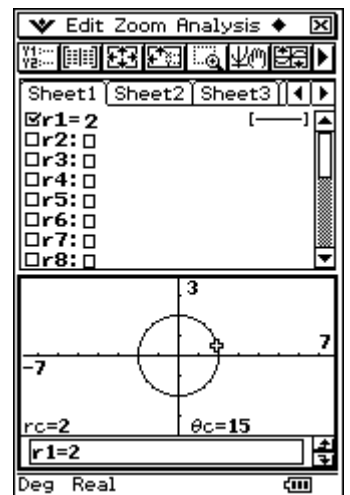
Enter a 2 and tap **EXE**.

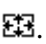
Tap .

Tap **Analysis, Trace**.

Tap the left and right cursor keys.

Note how the angle is incrementing in steps of 3° .



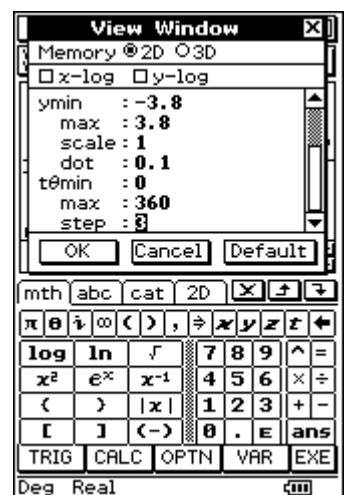
Tap .

The View Window opens.

Scroll to the bottom of the list of settings.

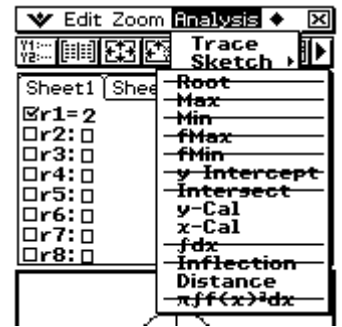
The last three settings adjust the minimum, maximum and step of the angle for the graph.

Tap **Cancel**.



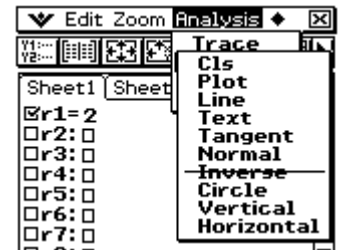
Tap **Analysis, G-Solve**.

Note that with polar functions, Classpad does not offer many of these tools.



Tap **Analysis, Sketch**.

Classpad still offers most of the sketch functions such as adding a tangent or a normal.

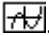


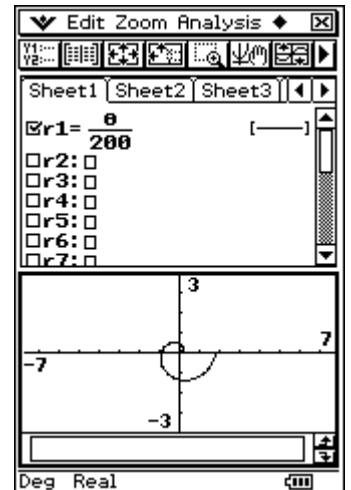
2. Graph $r = \frac{\theta}{200}$.


Open the keyboard and tap on the **math** tab.

Enter the function.

Close the keyboard.

Tap .



Tap .

Scroll to the bottom of the list of settings and adjust the angle maximum to 1080° and the step to 10° .

Tap **OK**.

Tap **Resize**.

