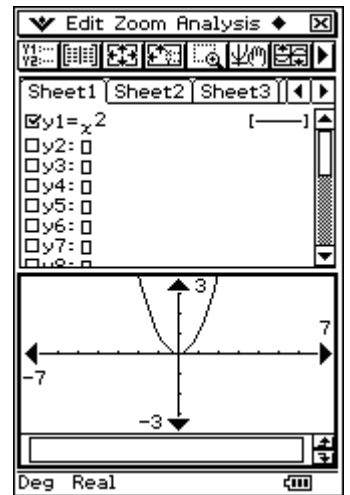
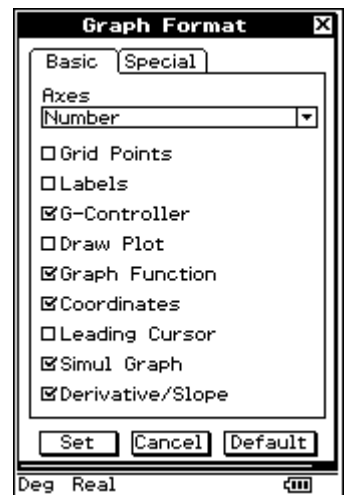




|  |                            |                           |                  |
|--|----------------------------|---------------------------|------------------|
| <b>Classpad Help Series sponsored by Casio Education Australia</b> |                            | <b>www.casioed.net.au</b> |                  |
| 341  | Show Gradient When Tracing | Author                    | Charlie Watson   |
|  |                            | Date                      | 09 February 2009 |
|  |                            | CPM OS                    | 03.03.3000       |

Draw the graph of  $y = x^2$  using the scale set by Zoom, Quick Initialize.



Tap **Settings**, **Graph Format**, check the Derivative/Slope box and then **Set**.



Using either **Analysis**, **Trace** or tapping  then  start to trace along the curve and notice that the slope ( $dy/dx$ ) is displayed just above the y-coordinate ( $yc$ ).

