

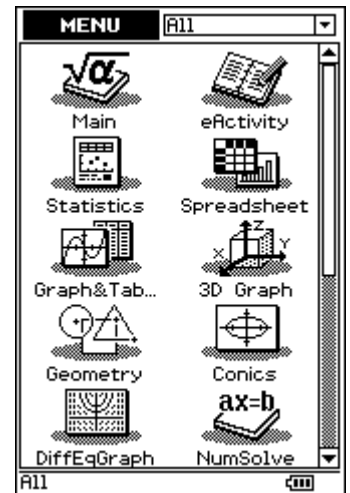


Solve $y = 3x - 4$ and $y = 6 - 2x$ graphically

Tap  and then tap  **Graph&Tab...**

Tap **Edit**, **Clear All** to clear the window.



Tap in the box following $y1$.

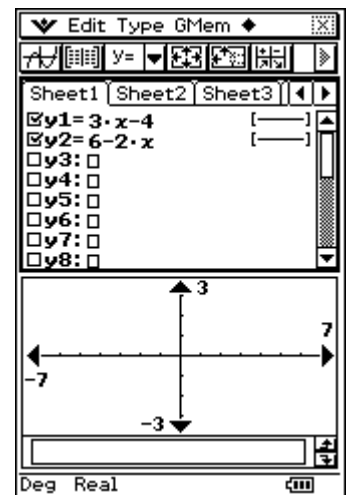
Type in $3x - 4$

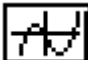
Press **EXE**

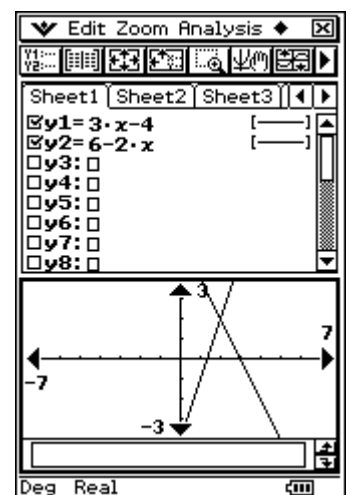
Tap in the box following $y2$.

Type in $6 - 2x$

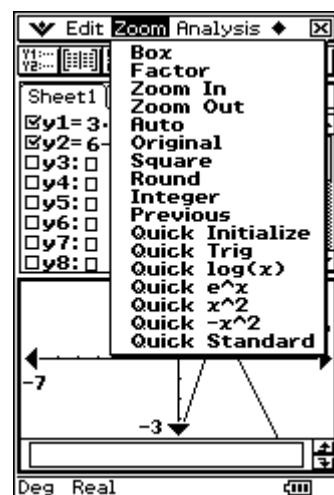
Press **EXE**



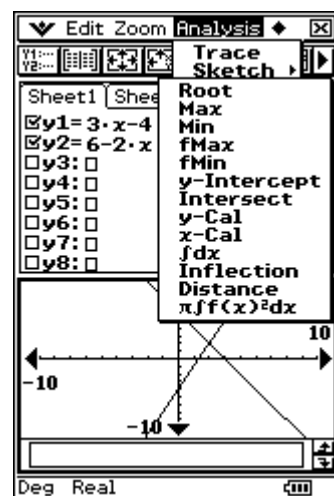
Tap 



Set the View Window parameters
Tap Zoom, Quick Standard



Determine point of intersection
Tap Analysis, G-Solve, Intersect



The point of intersection of the two lines occurs at $x = 2$ and $y = 2$.

