

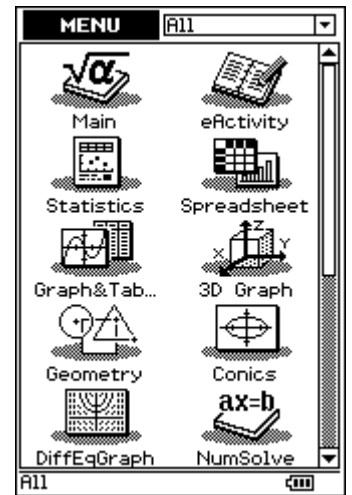


Graph $y = 4^x$ using the Graph & Table application

Tap  and then tap  Graph&Tab...

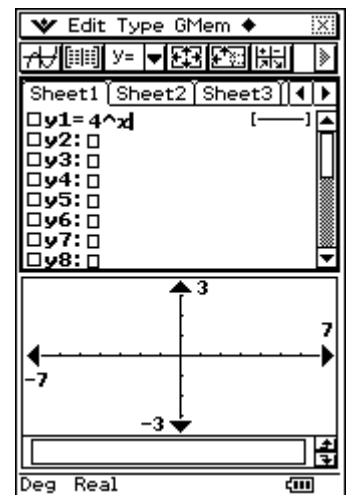


Tap **Edit**, **Clear All** to clear the window.

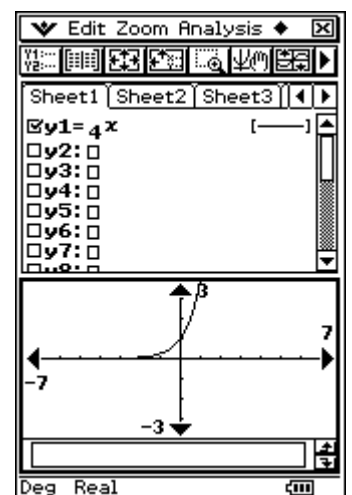
Tap in the box following y_1 .

Type in 4^x

Press **EXE**

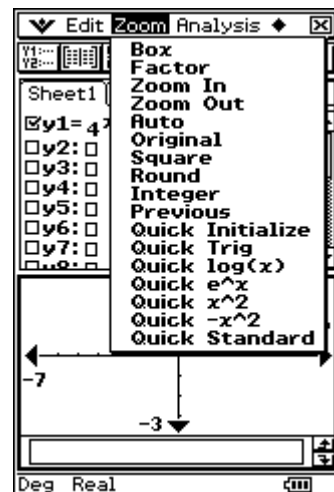


Tap 




Set the View Window parameters

Tap **Zoom**, Quick e^x

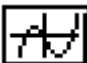


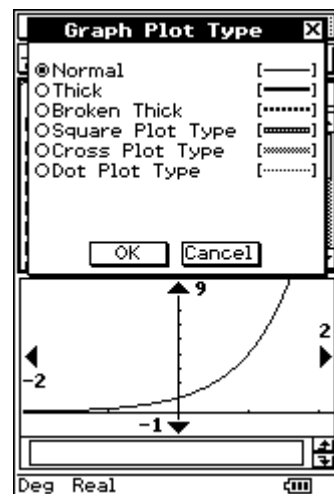
To change the line style

Tap  to the right of the equation.

Tap the desired line style.

Tap **OK**

Tap  to redraw the graph.



To locate the vertical intercept

Tap **Analysis**, G-Solve, y-Intercept

