

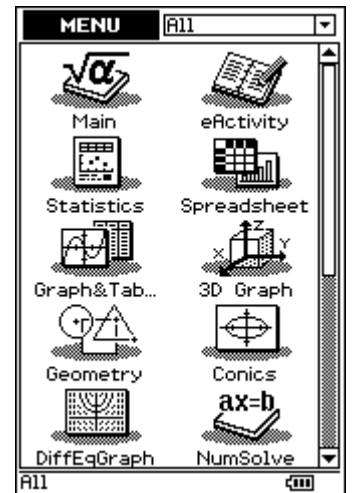


Graph $y = x^2 + 3x - 4$ using the Graph & Table application

Tap  and then tap  Graph&Tab...

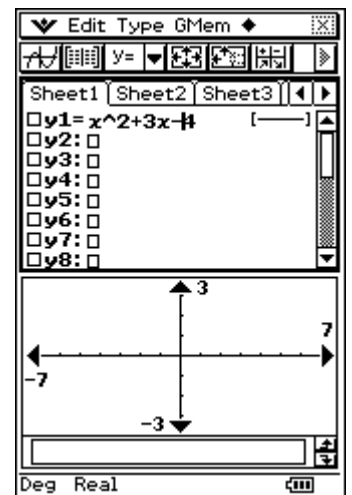


Tap **Edit**, **Clear All** to clear the window.

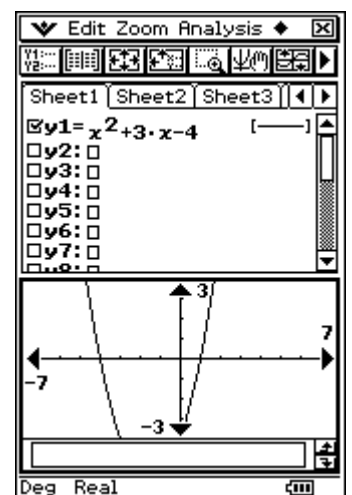
Tap in the box following **y1**.

Type in $x^2 + 3x - 4$

Press **EXE**

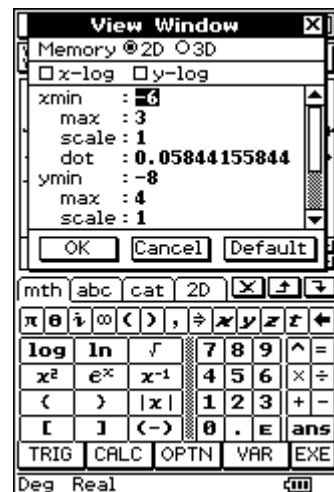


Tap 



Set the View Window parameters

Tap , View Window



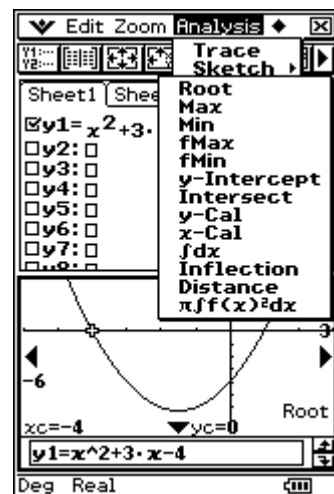
Locate key features of the parabola

Horizontal intercepts: Tap Analysis, G-Solve, Root

Use the left and right cursor keys to move to each intercept.

Vertical intercept:

Tap Analysis, G-Solve, y-Intercept



Vertex:

Tap Analysis, G-Solve, Min

