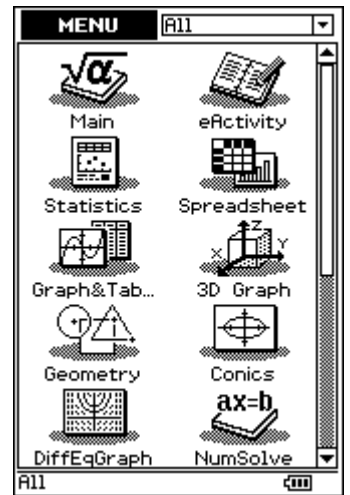


Classpad Help Series sponsored by Casio Education Australia		www.casioed.net.au	
302	Graph a Linear Function_2	Author	Romaine Saunders
		Date	13 Dec 2007
		CPM OS	03.01.3000.0240

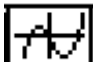
Graph $3x + 2y = 12$ using the Main Application

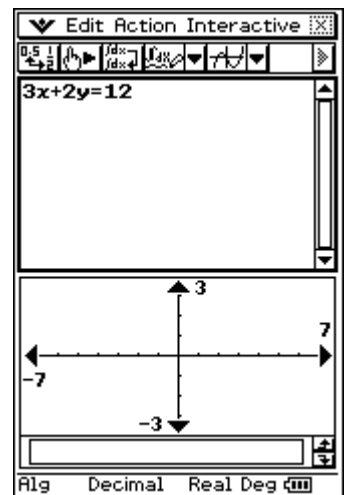
Tap  Menu

Tap **Edit**, **Clear All** to clear the window.

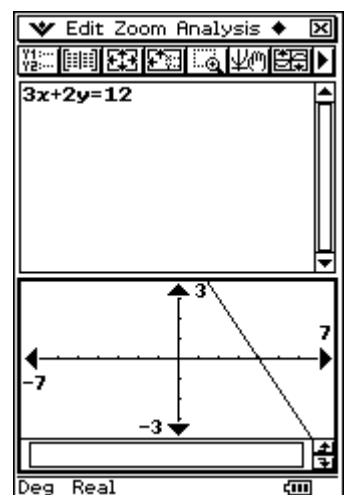


Type in $3x + 2y = 12$

Tap  to view the **Graph Window**.

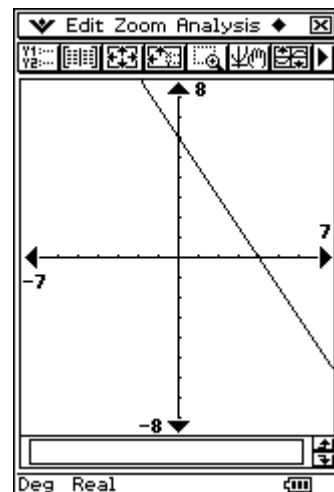


Highlight the equation, drag and drop onto the **Graph Window**.

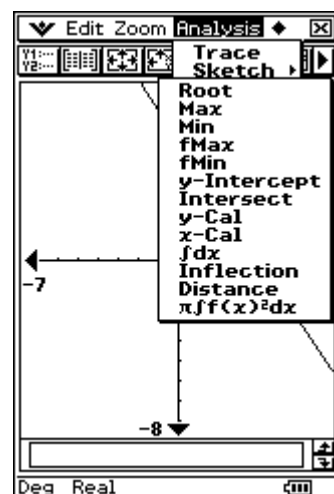


Enlarge the View Window

Tap  to Resize to full screen.




To locate the horizontal intercept
Tap Analysis, G-Solve, Root



To locate the vertical intercept
Tap Analysis, G-Solve, y-Intercept

Note the original relationship $3x + 2y = 12$ has been transformed and displayed at the base of the graph as $y = 6 + (-3/2) \cdot x$

To return to split screen mode, tap  Resize again.

