

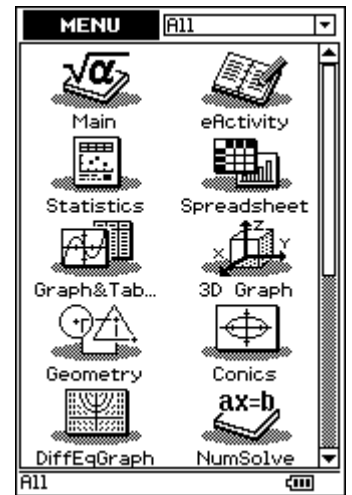


Graph $y = 2x + 3$ using the Graph & Table application

Tap  and then tap  Graph&Tab...

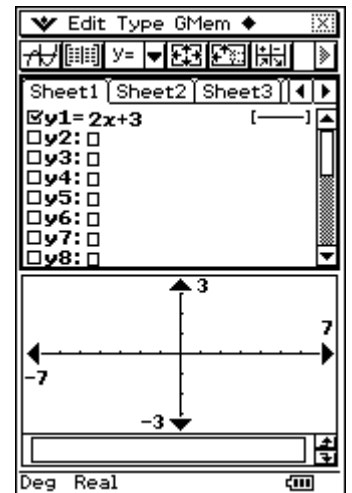


Tap **Edit**, **Clear All** to clear the window.

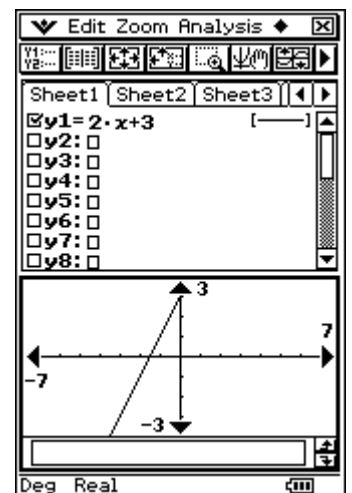
Tap in the box following $y1$.

Type in $2x + 3$

Press **EXE**

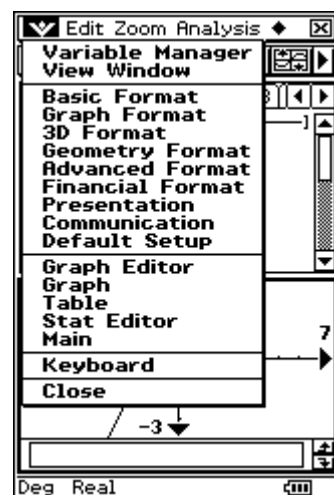


Tap 



Tap , **View Window**

Set the View Window parameters for x and y



For example, $-5 \leq x \leq 3$, $-4 \leq y \leq 6$



To trace along the line

Tap **Analysis**, **Trace** to see the coordinates of the cursor displayed at the base of the graph.

Tap the graph controllers  or  to move the cursor along the line.

